

Order Codes

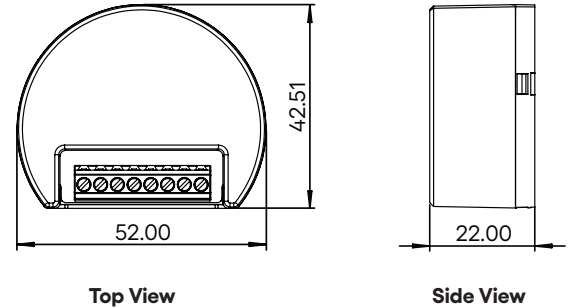
Product SKU	Description
VS-IC1-W	Integral C1 - White
VS-ISM-W	Integral Surface Kit - White

Technical Specification

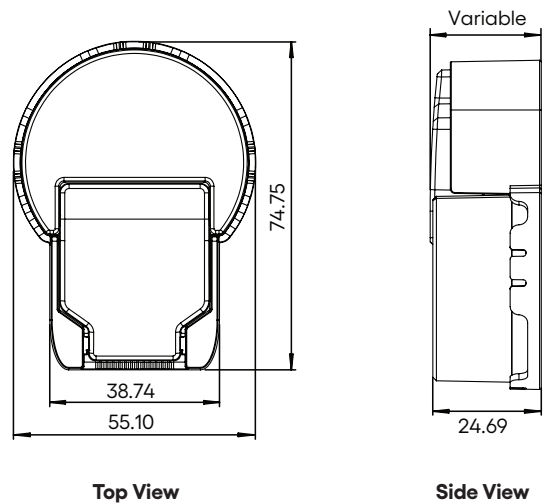
Dimensions (VS-IC1-W)	52x42.51x22mm
Dimensions (VS-ISM-W)	74.75x55.10x24.69mm
Control	Casambi
Wireless Range	98m/LR 180m (OA LOS)
Supply	100-240VAC 50/60Hz
Switch Input	5x Momentary or Latch
Type	Live/Energised
Operating Temperature	0 to 55C
Wiring	Loop in/loop out
Terminal Capacity	1.5 mm ²
Mounting Screws	2x M3 Flat Head
Screw Centres	25mm
Material	Flame Retardant ABS+PC
Ingress Protection	IP20
Transceiver Frequency	2.4GHz ISM Band
Warranty	5 Years

Dimensions (mm)

VS-IC1-W



VS-ISM-W (with C1 installed)

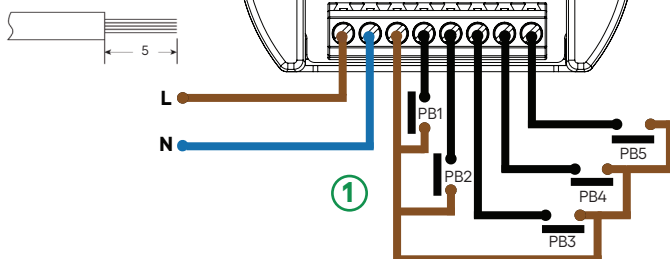


Wiring Schematic

KEY:

- L = Line (Live/Active)
- N = Neutral
- C = Common (Live)
- 1 = Push Button 1
- 2 = Push Button 2
- 3 = Push Button 3
- 4 = Push Button 4
- 5 = Push Button 5

Wire Strip Length (mm)



Safety Information

Install only by a licensed electrician. Turn off and isolate the electrical supply before installation. No user serviceable parts; servicing voids the warranty. Installers must comply with building and safety codes. Refer to relevant standards.

NOTES

By default push button (momentary) switches can be connected to the C1. The C1 uses Live connections with push buttons in order to detect presses and activate corresponding functions in the Casambi mesh network.

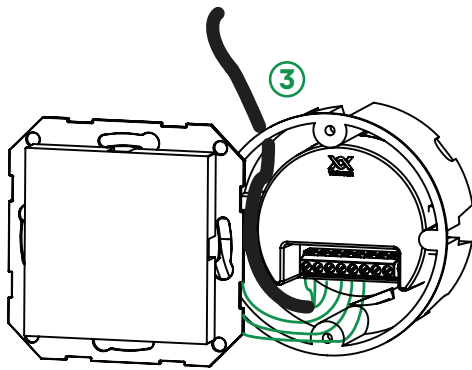
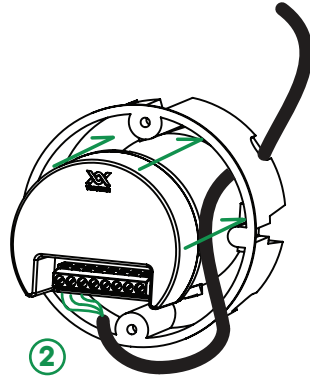
Integral C1 can also be used with latching mains inputs (from switches, external automation or HVAC systems) to activate scenes, groups, resume automation etc via Control Priority in the Casambi app. Actions can be defined for when the switch is Closed (Active) and when Opened (Inactive). See the Casambi app manual for more information.

Installation

Unbox the product and carefully inspect it for any signs of damage. If you notice any defects or issues, do not proceed with the installation. Return the product to the original place of purchase for an exchange.

Back Box

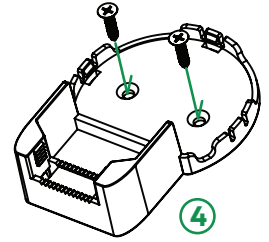
1. Make sure the back box is large enough to house Integral.
2. Pull power cable through the box and wire Integral as per fig 1.
3. Push Integral into the back box as per fig 2.



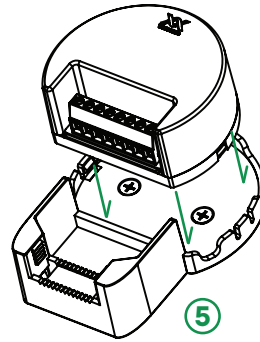
4. Depending on the Integral product, connect push button inputs to their respective push buttons on the switch (see fig 3).
5. Secure the push button switch to the back box as per the manufacturers instructions.

Surface Mount

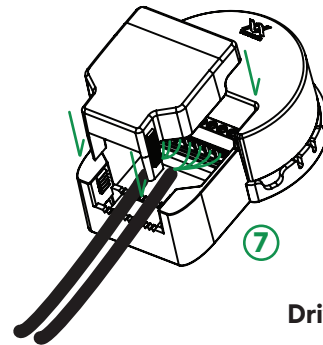
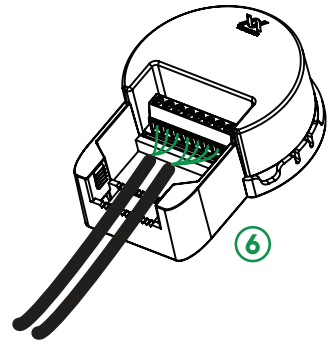
1. Install 2x M3 screws provided with the Integral Surface Kit (fig 4). Screw centres are 25mm apart.



2. Press Integral into the Surface Kit. The snap locks will click into place (fig 5).





3. Install wiring as per wiring schematic (fig 1).



4. Press the strain relief down until it firmly locks against the cable (fig 7).
5. Install complete.

Driver Requirements

Phillips	Slotted
	
M3/PH1	2.5mm