

Integral C1

Designed for small spaces like switch boxes, the Integral C1 offers five switch inputs to allow integration with momentary or latching switches. Each switch input can be programmed via Casambi for on/off, scene selection, dimming and other functions. The C1 is part of the Integral range of controllers offering miniaturised design and expansive control of DALI, Phase-dim, Relay and PWM luminaires.



Features

Control

The Integral C1 offers full control of up to five switches. Each switch can be momentary or latching providing flexibility. Switches can control on/off, scenes, dimming and other functions. When integrated with Casambi's product eco-system, the C1 allows control of small rooms up to large buildings via the Casambi mesh network.



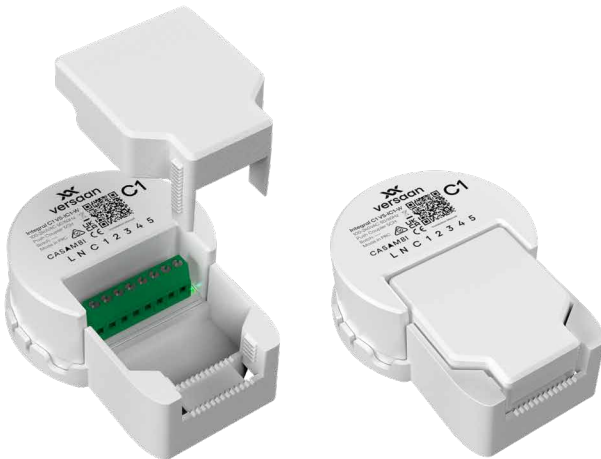
Compact

Boasting a small form factor the C1 fits into switch boxes allowing easy connection to traditional push buttons switches.



Versatile

The Integral Surface Kit allows any Integral product to be surface mounted while also providing strain relief with the built-in snap cable clamp. Two M3 screws are secured below the Integral during installation providing a streamlined aesthetic.



Identify

The built-in LED indicator makes identifying the C1 effortless. Useful when pre-commissioning Casambi networks before product is sent to site or when more than one Integral product is installed in the same switchbox.



Explore

Explore the Integral range, a comprehensive control solution featuring DALI, Phase-dim, Relay, PWM, and Push Button control all seamlessly integrated into a single enclosure architecture. Designed to provide complete control of luminaires with support for multiple dimming and control types in residential and commercial projects.





Integral C1



Specifications

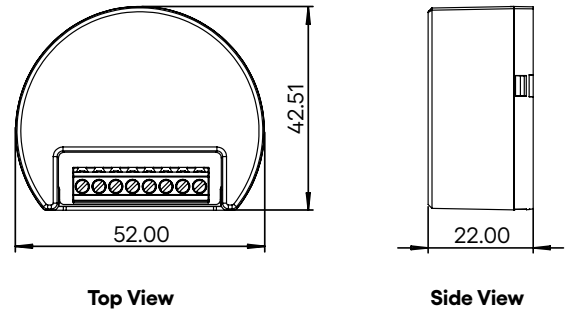
Order Codes

Product SKU	Description
VS-IC1-W	Integral C1 - White
VS-ISM-W	Integral Surface Kit - White

Technical Specification

Dimensions (VS-IC1-W)	52x42.51x22mm
Dimensions (VS-ISM-W)	74.75x55.10x24.69mm
Control	Casambi
Wireless Range	98m/LR 180m (OA LOS)
Supply	100-240VAC 50/60Hz
Switch Input	5x Switches (Live/Energised)
Switch Type	Momentary, Latching, External Trigger (HVAC, Automation etc)
Operating Temperature	0 to 55C
Wiring	Loop in/loop out
Terminal Capacity	1.5 mm ²
Mounting Screws	2x M3 Flat Head
Screw Centres	25mm
Material	Flame Retardant ABS+PC
Ingress Protection	IP20
Transceiver Frequency	2.4GHz ISM Band
Warranty	5 Years

Dimensions - VS-IC1-W (mm)



Dimensions - VS-ISM-W (with C1 Installed)

