

Order Codes

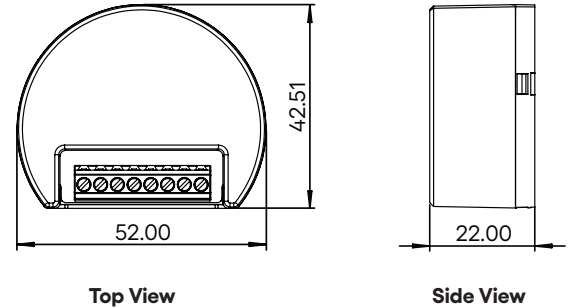
| Product SKU | Description |
|-------------|------------------------------|
| VS-IP1-W | Integral P1 - White |
| VS-ISM-W | Integral Surface Kit - White |

Technical Specification

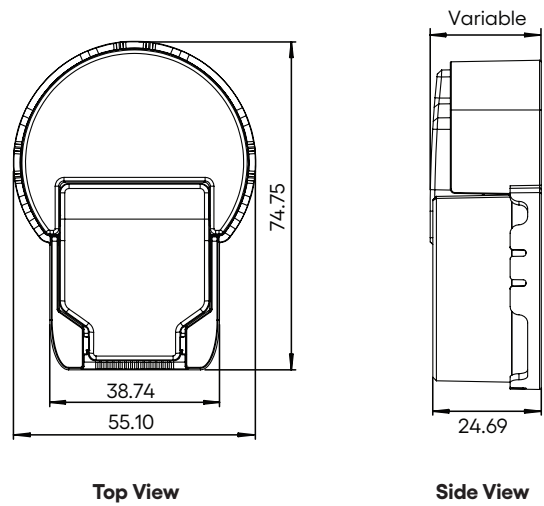
| | |
|------------------------------|-------------------------|
| Control | Casambi |
| Wireless Range | 98m/LR 180m (OA LOS) |
| Supply | 12-48VDC |
| Voltage Output | 4CH PWM 12-48VDC |
| 12VDC Max Load | 15A/CH (16A All CH's) |
| 24VDC Max Load | 12.5A/CH (16A All CH's) |
| 48VDC Max Load | 8.2A/CH (8.2A All CH's) |
| LED Strip Type | SC, RGB, RGBW, TW |
| Frequency | 18kHz |
| Operating Temperature | 0 to 55C |
| Wiring | Loop in/loop out |
| Terminal Capacity | 1.5 mm ² |
| Mounting Screws | 2x M3 Flat Head |
| Screw Centres | 25mm |
| Material | Flame Retardant ABS+PC |
| Ingress Protection | IP20 |
| Transceiver Frequency | 2.4GHz ISM Band |
| Warranty | 5 Years |

Dimensions (mm)

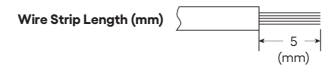
VS-IP1-W



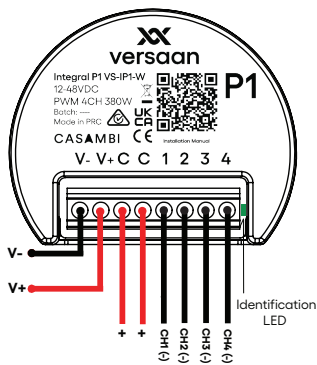
VS-ISM-W (with P1 installed)



Wiring Schematic ①

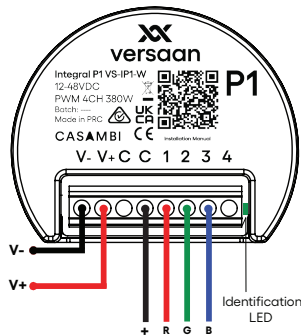


1-4 Single Colour Channels



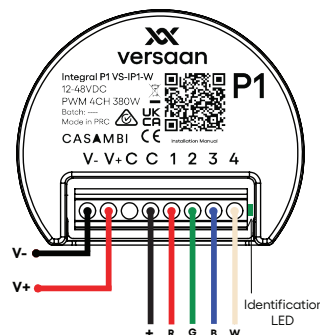
| KEY: | |
|-------------------|-------------------|
| V- = 12-48VDC (-) | 1 = Channel 1 (-) |
| V+ = 12-48VDC (+) | 2 = Channel 2 (-) |
| C = Common (+) | 3 = Channel 3 (-) |
| | 4 = Channel 4 (-) |

RGB



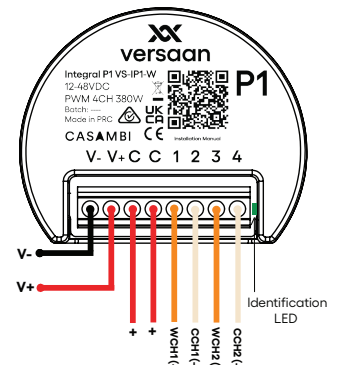
| KEY: | |
|-------------------|---------------|
| V- = 12-48VDC (-) | 1 = Red (-) |
| V+ = 12-48VDC (+) | 2 = Green (-) |
| C = Common (+) | 3 = Blue (-) |
| | 4 = Blue (-) |

RGBW



| KEY: | |
|-------------------|---------------|
| V- = 12-48VDC (-) | 1 = Red (-) |
| V+ = 12-48VDC (+) | 2 = Green (-) |
| C = Common (+) | 3 = Blue (-) |
| | 4 = White (-) |

1-2 Tuneable White Channels



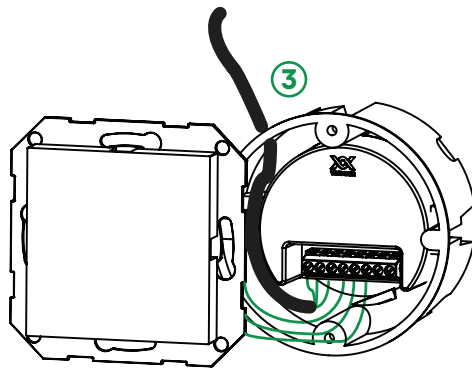
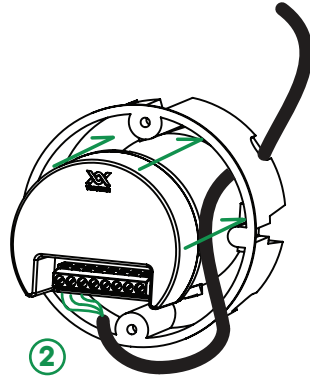
| KEY: | |
|-------------------|------------------------|
| V- = 12-48VDC (-) | 1 = Warm White CH1 (-) |
| V+ = 12-48VDC (+) | 2 = Cold White CH1 (-) |
| C = Common (+) | 3 = Warm White CH2 (-) |
| | 4 = Cold White CH2 (-) |

Installation

Unbox the product and carefully inspect it for any signs of damage. If you notice any defects or issues, do not proceed with the installation. Return the product to the original place of purchase for an exchange.

Back Box

1. Make sure the back box is large enough to house Integral.
2. Pull power cable through the box and wire Integral as per fig 1.
3. Push Integral into the back box as per fig 2.



4. Depending on the Integral product, connect push button inputs to their respective push buttons on the switch (see fig 3).
5. Secure the push button switch to the back box as per the manufacturers instructions.

Safety Information

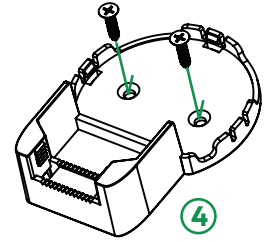
Install only by a licensed electrician. Turn off and isolate the electrical supply before installation. No user serviceable parts; servicing voids the warranty. Installers must comply with building and safety codes. Refer to relevant standards. Do not exceed maximum stated voltage or load, doing so voids warranty.

Profiles

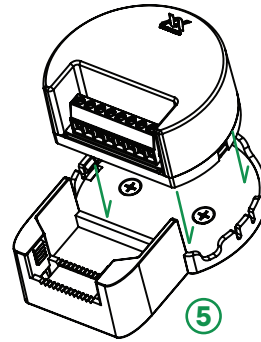
| Fixture | Model | Description |
|---------|-------------------------------------|---|
| 43394 | Integral P1 PWM/1ch/DIM | Basic one channel PWM dimmer. |
| 43395 | Integral P1 PWM/2ch/DIM,DIM | Two channel PWM dimmer. |
| 43399 | Integral P1 PWM/2ch/DIM,TW | Two channel warm/cool mixer. |
| 43396 | Integral P1 PWM/3ch/DIM,DIM,DIM | Three channel luminaire. |
| 43398 | Integral P1 PWM/3ch/DIM,RGB | RGB fixture, reduced variant of PWM/4ch/Dim,RGBW. |
| 39866 | Integral P1 PWM/4ch/2x(DIM,TW) | Dual-TW fixture with 4 channels for independently controlled (Warm and Cold white) pairs of outputs |
| 38856 | Integral P1 PWM/4ch/DIM,DIM,DIM,DIM | Four channel luminaire (Default) |
| 43397 | Integral P1 PWM/4ch/DIM,RGB/White | Four channel RGB fixture with White. The ratio between RGB and White is selected with mixer. |
| 39865 | Integral P1 PWM/4ch/DIM,RGBW | Four channel RGB fixture with White. RGB is always present but amount of White be adjusted. |

Surface Mount

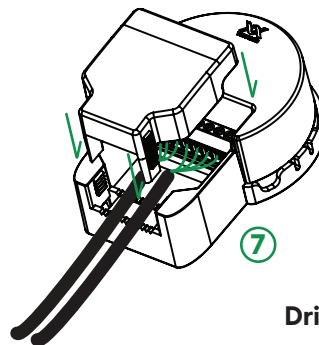
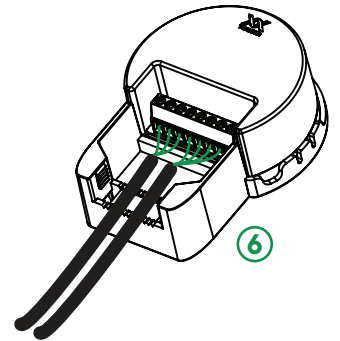
1. Install 2x M3 screws provided with the Integral Surface Kit (fig 4). Screw centres are 25mm apart.



2. Press Integral into the Surface Kit. The snap locks will click into place (fig 5).



3. Install wiring as per wiring schematic (fig 1).



4. Press the strain relief down until it firmly locks against the cable (fig 7).
5. Install complete.

Driver Requirements

