

Integral P1

The Integral P1 is a high-performance PWM lighting controller with a wide 12-48VDC input range and up to 380W output. P1 supports four independent channels for precise LED control of single colour, RGB, RGBW and TW, ensuring smooth, flicker-free dimming. Designed for seamless Casambi app integration, it enables intuitive wireless control, automation, and scene customization for various lighting applications. The P1 is part of the Integral range of controllers offering miniaturised design and expansive control of DALI, Phase-dim, Relay and PWM luminaires.



Features

Control

With a wide 12-48VDC input range and up to 380W output, the P1 is designed to efficiently manage extended LED strip installations. Supporting single-color, RGB, RGBW, and tunable white lighting, providing versatile and precise control for a variety of applications. High frequencies of 18kHz provide flicker free performance.



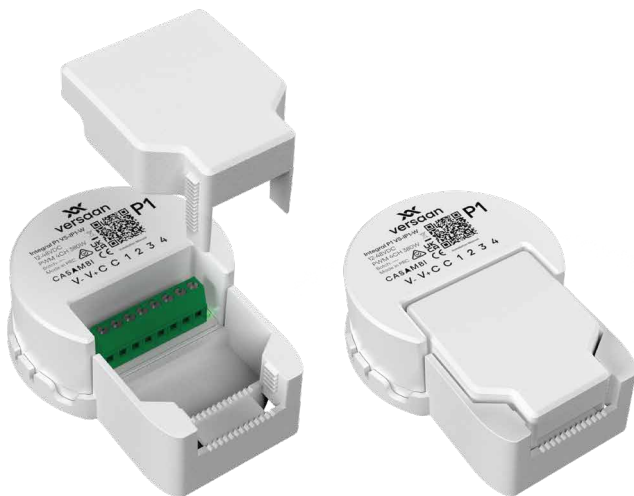
Compact

Boasting a small form factor the P1 fits into switch boxes allowing easy connection to traditional push buttons switches.



Versatile

The Integral Surface Kit allows any Integral product to be surface mounted while also providing strain relief with the built-in snap cable clamp. Two M3 screws are secured below the Integral during installation providing a streamlined aesthetic.



Identify

The built-in LED indicator makes identifying the P1 effortless. Useful when pre-commissioning Casambi networks before product is sent to site or when more than one Integral product is installed in the same switchbox.



Explore

Explore the Integral range, a comprehensive control solution featuring DALI, Phase-dim, Relay, PWM, and Push Button control all seamlessly integrated into a single enclosure architecture. Designed to provide complete control of luminaires with support for multiple dimming and control types in residential and commercial projects.





Integral P1

Specifications

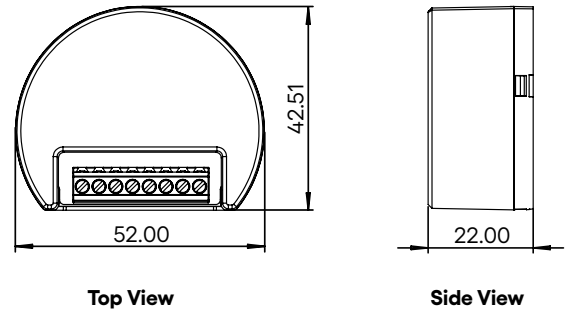
Order Codes

Product SKU	Description
VS-IP1-W	Integral P1 - White
VS-ISM-W	Integral Surface Kit - White

Technical Specification

Dimensions (VS-IP1-W)	52x42.51x22mm
Dimensions (VS-ISM-W)	74.75x55.10x24.69mm
Control	Casambi (inc Long Range)
Wireless Range	98m/LR 180m (OA LOS)
Supply	12-48VDC
Output	4CH PWM 12-48VDC
12VDC Max Load	15A/CH (16A All CH's)
24VDC Max Load	12.5A/CH (16A All CH's)
48VDC Max Load	8.2A/CH (8.2A All CH's)
Type	Single Colour, RGB,RGBW, TW
Frequency	18kHz
Ambient Temperature	-10 to 50C TA
Max Case Temperature	60C TC
Wiring	Loop in/loop out
Terminal Capacity	1.5 mm ²
Mounting Screws	2x M3 Flat Head
Screw Centres	25mm
Material	Flame Retardant ABS+PC
Ingress Protection	IP20
Transceiver Frequency	2.4GHz ISM Band
Warranty	5 Years

Dimensions - VS-IP1-W (mm)



Dimensions - VS-ISM-W (with P1 Installed)

