

# Integral R1

The Integral R1 is a versatile wireless relay engineered for effortless integration into smart control systems. Designed for high-performance switching, it supports up to 10A output, ensuring reliable operation of high-power loads. Equipped with three switch inputs, it provides flexible manual control alongside advanced automated wireless functionality through Casambi. The R1 is part of the Integral range of controllers offering miniaturised design and expansive control of DALI, Phase-dim, Relay and PWM luminaires.



## Features

### Control

With a wide 100-277VAC power input, the Integral R1 provides on/off control for up to a 10A output with 250A inrush allowing connection of high inrush devices like LED lighting. Three switch inputs allow control of scenes, dimming, on/off programming through Casambi.



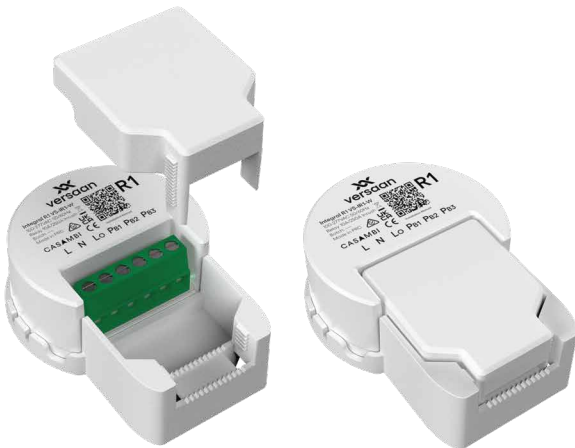
### Compact

Boasting a small form factor the R1 fits into switch boxes allowing easy connection to traditional push buttons switches.



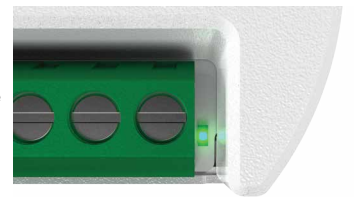
### Versatile

The Integral Surface Kit allows any Integral product to be surface mounted while also providing strain relief with the built-in snap cable clamp. Two M3 screws are secured below the Integral during installation providing a streamlined aesthetic.



### Identify

The built-in LED indicator makes identifying the R1 effortless. Useful when pre-commissioning Casambi networks before product is sent to site or when more than one Integral product is installed in the same switchbox.



### Explore

Explore the Integral range, a comprehensive control solution featuring DALI, Phase-dim, Relay, PWM, and Push Button control all seamlessly integrated into a single enclosure architecture. Designed to provide complete control of luminaires with support for multiple dimming and control types in residential and commercial projects.





# Integral R1

## Specifications

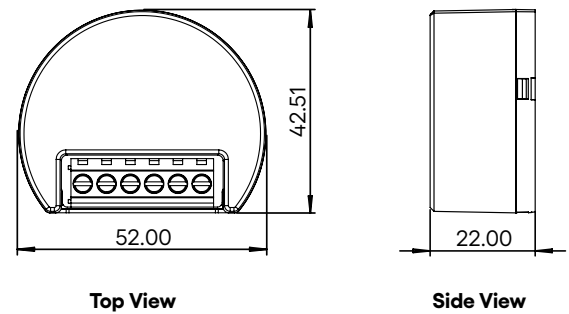
### Order Codes

Product SKU	Description
VS-IR1-W	Integral R1 - White
VS-ISM-W	Integral Surface Kit - White

### Technical Specification

<b>Dimensions (VS-IR1-W)</b>	52x42.51x22mm
<b>Dimensions (VS-ISM-W)</b>	74.75x55.10x24.69mm
<b>Control</b>	Casambi (inc Long Range)
<b>Wireless Range</b>	98m/LR 180m (OA LOS)
<b>Supply</b>	100-277VAC 50/60Hz
<b>Output</b>	Relay 10A Capacitive Relay 10A Inductive Relay 10A Resistive
<b>Max Inrush Current</b>	250A/1ms, 140A/10ms
<b>Switch Input</b>	3x Momentary, Latching or External (HVAC, Security etc)
<b>Ambient Temperature</b>	-10 to 50C TA
<b>Max Case Temperature</b>	60C TC
<b>Wiring</b>	Loop in/loop out
<b>Terminal Capacity</b>	2.5 mm <sup>2</sup>
<b>Mounting Screws</b>	2x M3 Flat Head
<b>Screw Centres</b>	25mm
<b>Material</b>	Flame Retardant ABS+PC
<b>Ingress Protection</b>	IP20
<b>Transceiver Frequency</b>	2.4GHz ISM Band
<b>Warranty</b>	5 Years

### Dimensions - VS-IR1-W (mm)



### Dimensions - VS-ISM-W (with R1 Installed)

