

Order Codes

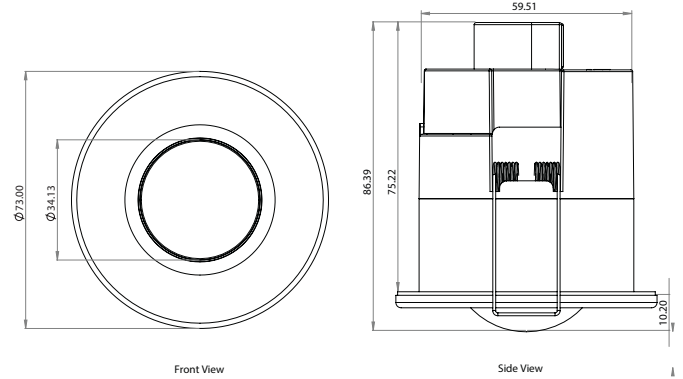
Product SKU	Description
VS-S1E-LBW	S1E Sensor - White
VS-S1-SMW	S1/S1E Surface Kit - White
VS-S1-SMB	S1/S1E Surface Kit - Black
VS-S1-CB	S1/S1E Cover - Black

Technical Specification

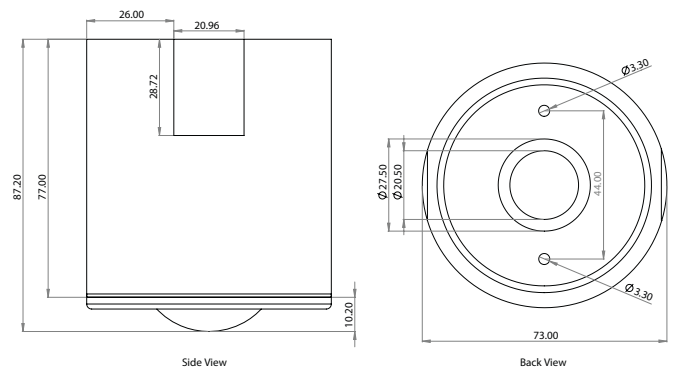
Control	Casambi
Wireless Range	STD: 85m LR: 160m (LOS OA)
Supply	220-240VAC 50/60Hz
Lens	Fresnel
Sensor	PIR, Ambient Light
Light Detection Range	1-999 Lux
Operating Temperature	-10 to 55°C
Wiring	Loop in/loop out (No Earth)
Terminal Capacity	2.5mm ²
Material	Flame Retardant ABS+PC
Ingress Protection	IP65 - Recessed (Front Only) or Surface Mounted (All)
Surge Protection	2kV
Cutout	62-66mm
Transceiver Frequency	2.4GHz ISM Band
Warranty	5 Years

Dimensions (mm)

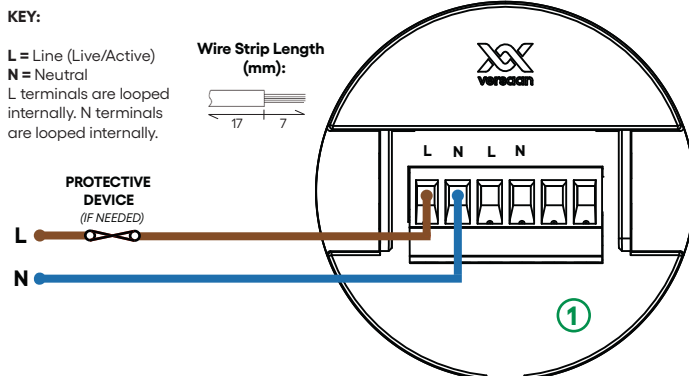
VS-S1E-LBW



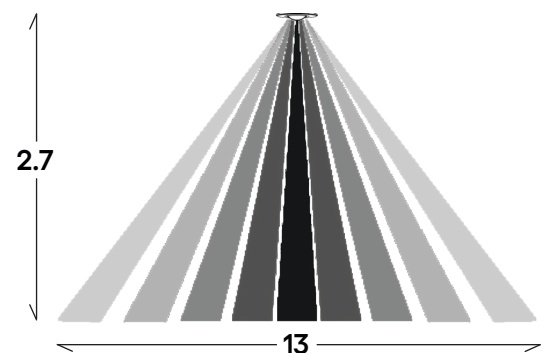
VS-S1-SMW (with S1E installed)



Wiring Schematic



Detection Pattern (m)



Safety Information

Install only by a licensed electrician. Turn off and isolate the electrical supply before installation. No user serviceable parts; servicing voids the warranty. Treat DALI as LV, not SELV. Installers must comply with building and safety codes. Refer to relevant standards.

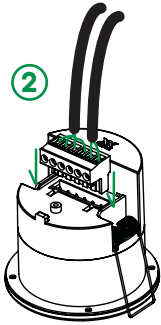
NOTES

Unity S1E must be at least 1 metre away from heat sources (eg HVAC, direct sunlight).

Installation

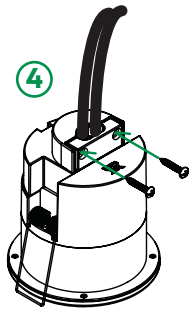
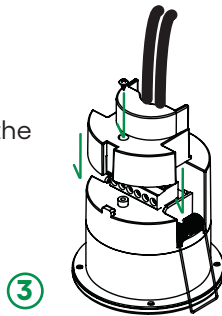
Unbox the product and carefully inspect it for any signs of damage. If you notice any defects or issues, do not proceed with the installation. Return the product to the original place of purchase for an exchange.

Recessed (IP65 From Front)



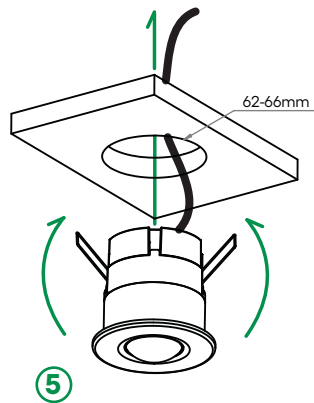
1. Refer to the detection pattern guide for proper placement.
2. Drill 62-66mm hole with a hole saw.
3. Pull cabling through the hole and attach to the removable terminal block (3.5mm Slotted).
4. Wire the Unity S1E as per the wiring diagram (fig 1).
5. Plug the terminal block into the port on the sensor (fig 2).

6. Install Cable Grip Cover making sure it snaps into place.
7. Install the Phillips M2.5 PH1 6mm screw into the hole at the top of the cover (fig 3).

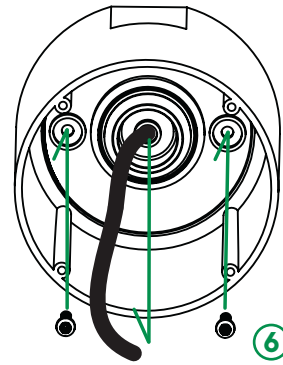


8. Insert the Cable Grip over the cables.
9. Install the 2x Phillips M3 PH1/16mm screws into the Cable Grip and Cover making sure that the cables are secure to stop any movement (fig 4).

10. Lift spring clips upward and insert Unity S1E into the ceiling (fig 5). The spring clips will pull Unity S1E into the ceiling cavity.
11. Installation complete
12. Power on the Unity S1E and commission it via the Casambi app.

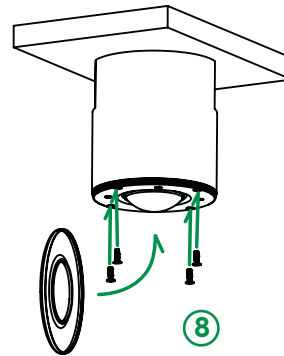
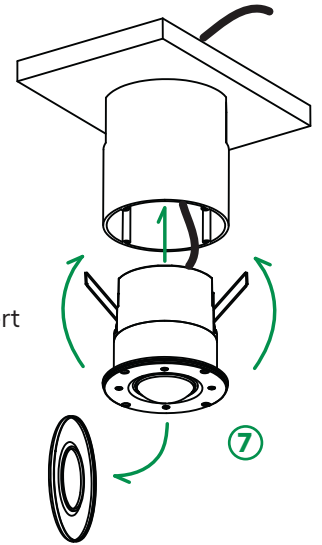


Surface (IP65)



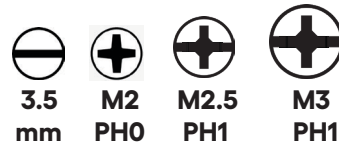
1. Refer to the detection pattern guide for proper placement.
2. Drill 2x 2.5mm holes 44mm apart.
3. Drill a third central hole and pull the electrical cable through the IP67 seal on the back of the kit.
4. Centre the Surface kit across the 2x 2.5mm holes and install the 2x Phillips PH1 M3 Pan Head screws to tighten the Surface kit to the ceiling (see fig 6).

5. Wire the Unity S1E as per the wiring diagram (see fig 1). Remove the Cable Grip Cover before installation.
6. Lift spring clip upwards, remove Sensor Cover and insert Unity S1E into the Surface kit (see fig 7).



7. Screw the supplied 4x Phillips PH1 M2.5 countersunk screws into the 4 mounting holes and into the Surface kit (see fig 8).
8. Replace the cover
9. Installation complete
10. Power on the Unity S1E and commission it via the Casambi app.

Driver Requirements (Phillips/Slotted)



Profiles

Model	Description
Unity S1E	PIR and Ambient Light Sensor (Default)
Unity S1E MIO	PIR and Ambient Light Sensor (Motion Indicator Turned Off)