

Unity S1E

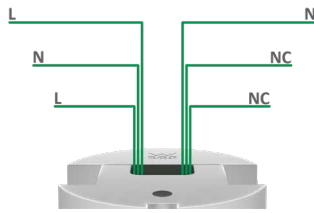
The Unity S1E expands wireless lighting control by combining Casambi technology with our advanced PIR sensor featuring expansive Occupancy and Ambient Light detection. Designed to control Casambi devices wirelessly, the Unity S1E provides a standalone, cost-effective solution to residential and commercial retrofit projects.



Features

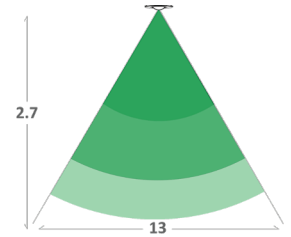
Control

Cost effective and precise, the S1E delivers Casambi wireless technology in our most economic PIR sensor yet. Perfect for retrofitting into existing buildings where the luminaire control output is external, via other Casambi devices like the Integral range.



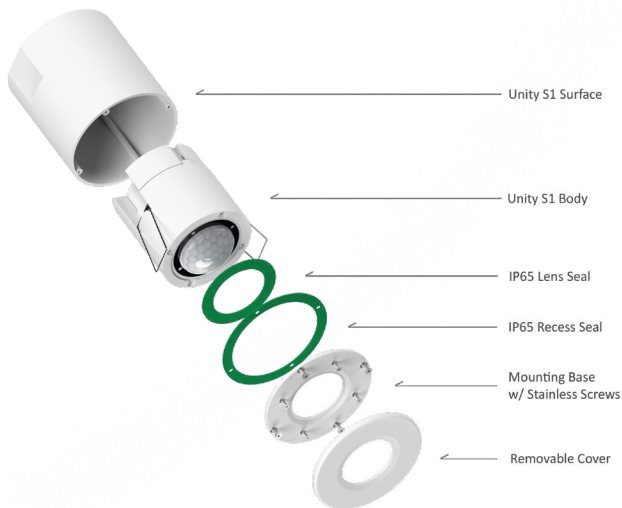
Range

Designed to perform, the S1E's PIR sensor offers a substantial 13 metre detection range at a mounting height of 2.7 metres. This ensures reliable occupancy detection across expansive areas, from small rooms to large open spaces.



Versatility

Equipped for any setting, the S1E boasts an IP65 rating, making it a champion against dust and water. Its versatility ensures top performance indoors and outdoors, adapting effortlessly to varying environmental conditions.



Surface

Install it your way, S1E's surface mounting accessory allows for flexible installation with 20mm exclusion areas for conduit through wiring. It maintains IP65 protection, combining durability with ease of integration.



Cover

Maintenance made simple, the S1E's cover clips easily onto the sensor and is paintable, facilitating smooth integration with your architectural designs. Quick access for maintenance combined with aesthetic adaptability enhances both functionality and style.





Unity S1E



Specifications

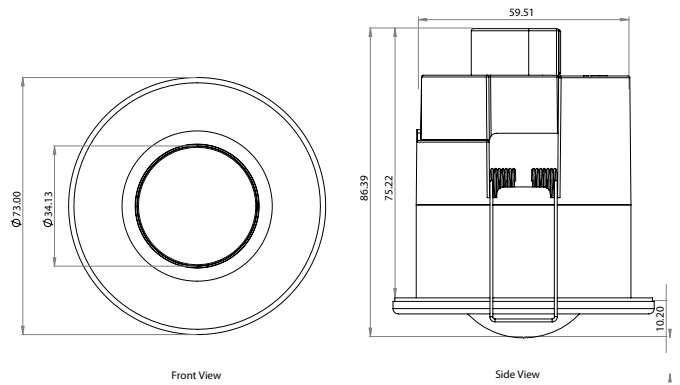
Order Codes

Product SKU	Description
VS-S1E-LBW	S1E Sensor - White
VS-S1-SMW	S1 Surface Kit - White
VS-S1-SMB	S1 Surface Kit - Black
VS-S1-CB	S1/S1E Cover - Black

Technical Specification

Control	Casambi
Supply	220-240VAC 50/60Hz
Lens	Fresnel
Sensor	PIR, Ambient Light
Light Detection Range	1-999 Lux
Operating Temperature	-10 to 55°C
Wiring	Loop in/loop out (No Earth)
Terminal Capacity	2.5mm ²
Material	Flame Retardant ABS+PC
Ingress Protection	IP65 - Recessed (Front Only) or Surface Mounted (All)
Cutout	62-66mm
Transceiver Frequency	2.4GHz ISM Band
Warranty	5 Years

Dimensions - VS-S1E-LBW



Dimensions - VS-S1-SMW (with S1E installed)

